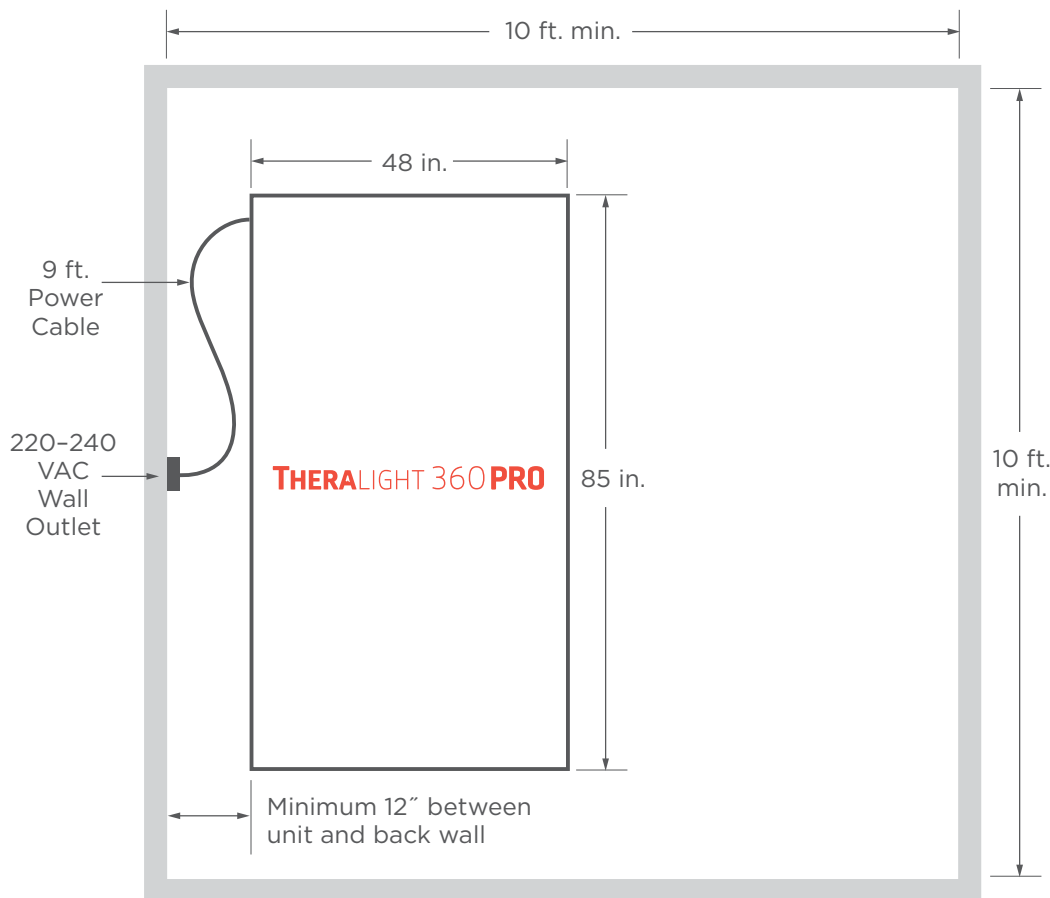




SPECIFICATIONS AND PLACEMENT

MINIMUM ROOM DIMENSIONS

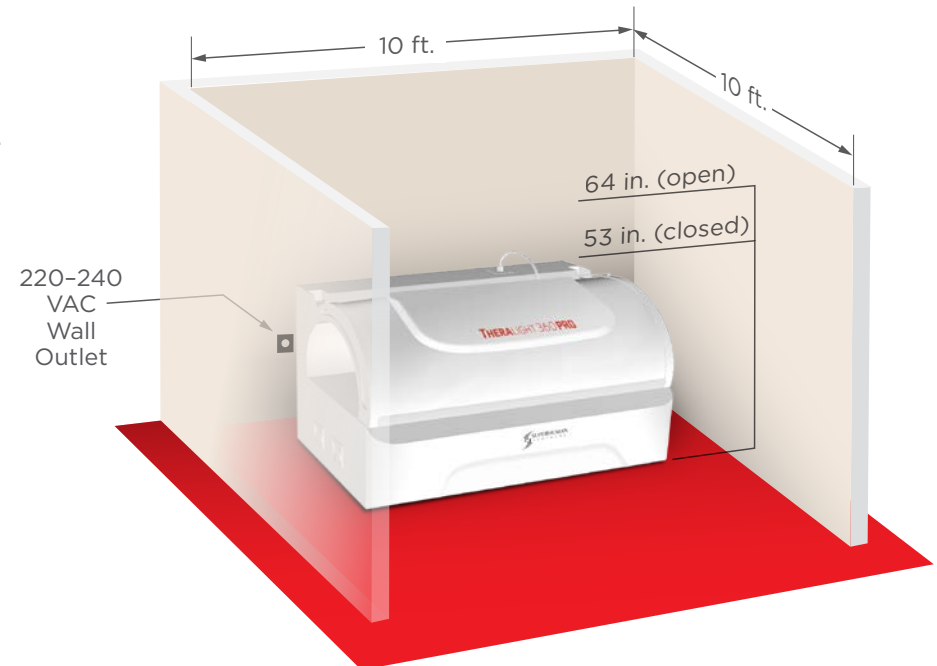


PLEASE NOTE: Failure to adhere to these minimum space requirements can result in compromised performance and/or damage to the unit, thereby voiding its warranty.

PRODUCT SPECIFICATIONS

- Length:** 85 inches (216 cm)
- Width:** 48 inches (122 cm)
- Closed Height:** 53 inches (135 cm)
- Open Height:** 64 inches (163 cm)
- Weight:** 618 lbs (280 kg)
- Weight Capacity:** 500 lbs (227 kg)
- Voltage:** 220-240 VAC 30A max 50/60 Hz
- Minimum Distance from Back Wall:** 12 inches
- Opening Mechanism:** Hydraulic
- Sound System:** JBL Speakers

DIMENSIONAL VIEW





LED, POWER AND SHIPPING SPECIFICATIONS

LED SPECIFICATIONS



LED SURFACE AREA

TOP: 78 x 30 in. (198 x 76 cm)

SIDE: 78 x 14.5 in. (198 x 37 cm)

BOTTOM: 78 x 30 in. (198 x 76 cm)

TOTAL LED SURFACE AREA:

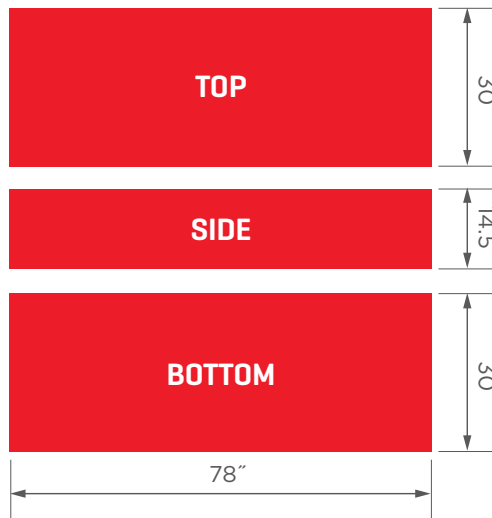
5,811 SQ. INCHES

LED CLASS I DIODES

TOTAL: 45,000

IRRADIANCE: 165 mW/cm² at center

LED LIFESPAN: 100,000 hours



POWER REQUIREMENTS

220-240 VAC 50/60HZ
30A Single Phase
NEMA L6-30R

PLEASE NOTE: Failure to properly configure electrical requirements according to NEC standards can result in compromised performance and/or damage to the unit, thereby voiding its warranty.



Plug: Provided



Receptacle: Required

SHIPPING DIMENSIONS

